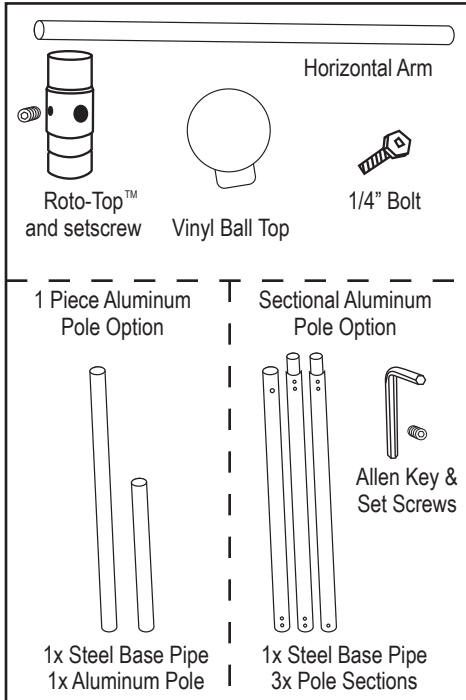


Parts List



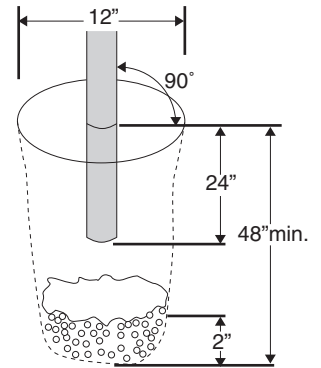
TOOLS REQUIRED:

- Shovel
- Screwdriver
- Allen Key
- Spirit Level

EXTRA MATERIALS REQUIRED:

- Concrete (13 Cubic feet min.)
- Gravel (2 Cubic feet)

- Dig a 12" diameter hole to a minimum depth of 48" (below frost line).
 - Put 2" of gravel in the bottom and then fill with concrete.
 - Immediately insert half of the steel base into concrete.
 - Use guide wires and level to be sure pipe is absolutely vertical for drying purposes.
 - Let concrete set completely before erecting pole.



IF INSTALLING A ONE PIECE POLE, SKIP TO STEP 3

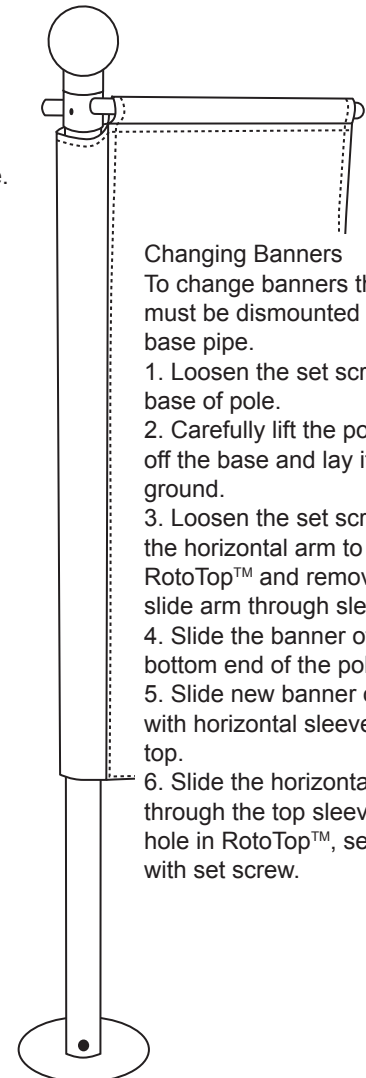
- Slide the bottom section into mid-section and align holes for set screws.
 - Tighten set screws with allen key to secure sections.
 - Repeat to join the middle section to the top section of pole.

- Insert RotoTop™ in the top of the pole.
 - align hole in the pole, with the groove in the RotoTop™.
 - Insert 1/4" bolt into hole and tighten.

- Secure horizontal arm with set screw using an allen key. **DO NOT over torque! Damage to RotoArm™ may occur.**

- Insert banner as shown; with horizontal sleeve at top.
 - Insert horizontal arm through top sleeve and into RotoTop™.
 - Squeeze vinyl ball and insert onto top as shown.

- Erect pole by lowering assembly over base pipe.
 - NOTE: Use two people to raise pole for safety.
 - Secure pole to steel pipe with a set screw. Tighten with allen key.



Changing Banners

To change banners the pole must be dismantled from steel base pipe.

1. Loosen the set screw at the base of pole.
2. Carefully lift the pole up and off the base and lay it on the ground.
3. Loosen the set screw holding the horizontal arm to the RotoTop™ and remove the arm, slide arm through sleeve.
4. Slide the banner off the bottom end of the pole.
5. Slide new banner onto pole with horizontal sleeve at the top.
6. Slide the horizontal arm through the top sleeve and into hole in RotoTop™, secure arm with set screw.

*Remember to take your banner down during stormy weather.

You can purchase replacement flags from Flags Unlimited by calling 800-565-4100 or online at www.flagsunlimited.com

WARNING!

Do not install near electrical wires. If the Roto-Arm™ comes into contact with an electrical wire, any person touching it is likely to be severely injured or even killed.

Do not transport the Roto-Arm™ system in a manner that might allow it to come into contact with the electrical wire.

Select a location for the Roto-Arm™ where it cannot be struck by and object that would damage it. Be aware of overhead obstructions.

Never use the Roto-Arm™ for support. The Roto-Arm™ has not been designed to support the weight of a person.